

European Mounting Hardware for LANmark

LANmark EU style 45 x 45 frame white

Nexans Ref.: N200.050

Country Ref.: 6903774

- Accepts all LANmark 45 x 45 modules
- 80 x 80 mm outer dimensions
- Integrated support plate
- Easy to install
- Colour white (RAL 9010)
- Also available in ivory (N200.051)

DESCRIPTION

Design

This European style frame is designed to accommodate all LANmark 45 x 45 modules for Snap-In connectors. It consists of a plastic support plate, with 80 x 80 outer dimensions, and a covering frame. Both parts have a fine textured white finish (RAL 9010). The product is also available in ivory (N200.051).

Installation

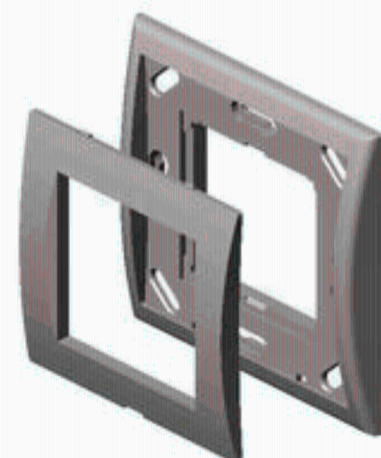
The support plate has multiple mounting holes which provide extra flexibility for installation in walls and backboxes.

LANmark 45 x 45 modules can be simply snapped into the central part of the mounting plate. The covering frame clicks onto the plate and completes the LANmark outlet solution.

The product is individually bagged and comes in boxes of 24 pcs.

Guarantees

All plastic material is UL 94 V-0



LANmark

STANDARDS

International
Manufacturer specification

CHARACTERISTICS

Construction characteristics

Colour

White RAL 9010

Dimensional characteristics

Depth

- mm

Height

80 mm

Width

80 mm

All drawings, designs, specifications, plans and particulars of weights, size and dimensions contained in the technical or commercial documentation of Nexans is indicative only and shall not be binding on Nexans or be treated as constituting a representation on the part of Nexans.

Generated 5/20/22 www.nexans.no Page 1 / 1

